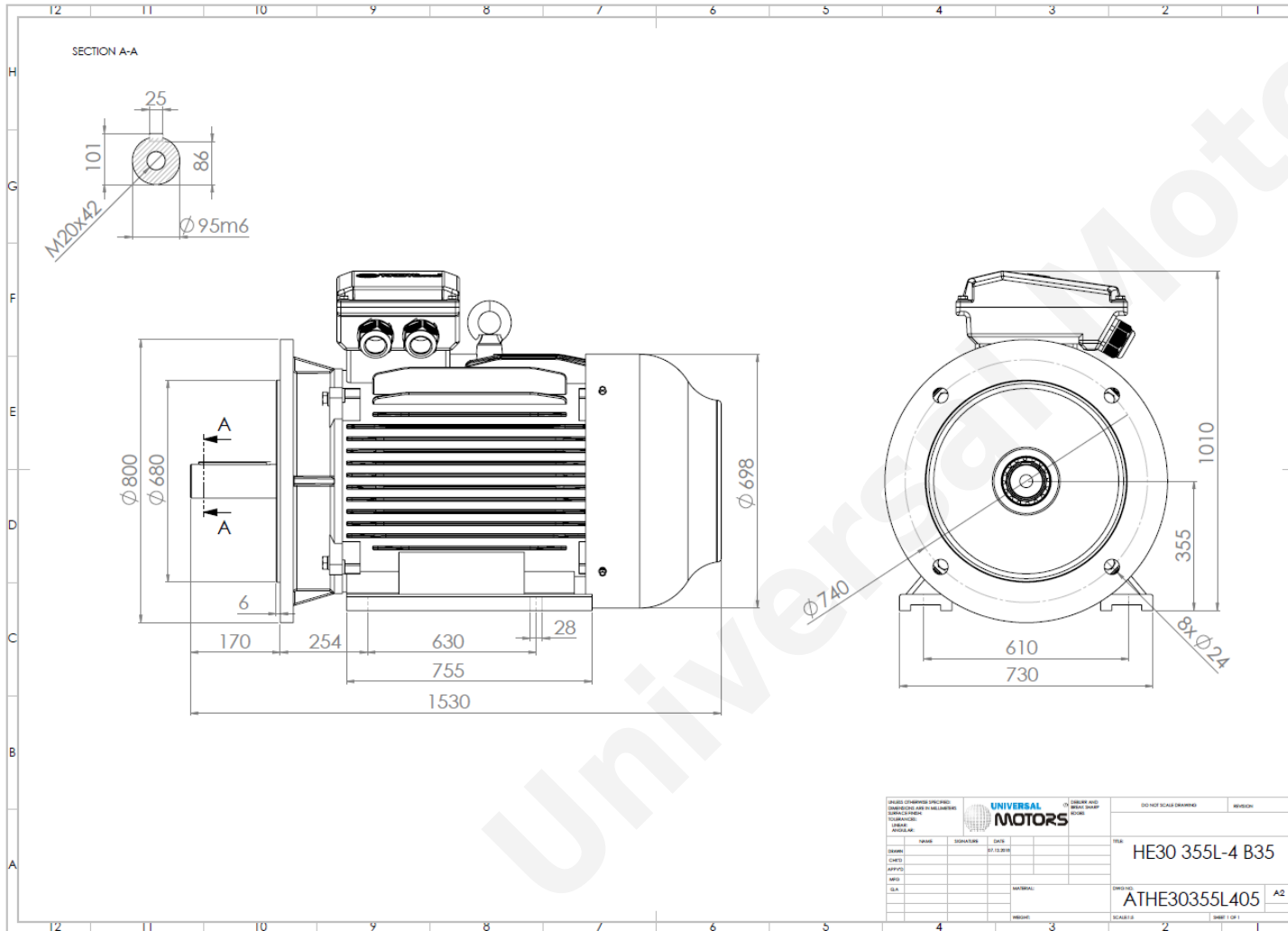




# TECHNICAL DATA

Three Phase Electric Motors - Cast Iron Frame  
 HE30 355 L-6 IE2  
 250 kW / 340 Cv  
 990 RPM



|                             |                  |
|-----------------------------|------------------|
| Motor type:                 | HE30 355 L-6 IE2 |
| Output:                     | 250 kW / 340 Cv  |
| Speed (min <sup>-1</sup> ): | 990 RPM          |
| Frequency:                  | 50 Hz            |
| Voltage:                    | 400 V            |
| Current:                    | 437 A            |
| Power factor (Cos $\phi$ ): | 0.87             |
| Poles:                      | 6                |
| Insulation class:           | F                |
| Temperature rise Class:     | B                |
| Efficiency 50%:             | 94.3 %           |
| Efficiency 75%:             | 95.3 %           |
| Efficiency 100%:            | 95.0 %           |
| Torque:                     | 2412 N.m         |
| Tstarting/Tnominal:         | 2.0              |
| Istarting/Inominal:         | 6.7              |
| Tmaximum/Tnominal:          | 2.0              |
| Noise:                      | 74 Db(A)         |
| Weight:                     | 1700 Kg          |
| Bearing DE:                 | NU 322           |
| Bearing NDE:                | 6322 C3          |

Regime - S1

Altitude - 1000m

Environment Temperature - 40°C

## CONTACTS:

UNIVERSAL MOTORS Tel: +351 252 299 080  
 Rua de São Brás,745 Fax: +351 252 299 089  
 4480-782 VILA DO CONDE Mail: [geral@universalmotors.pt](mailto:geral@universalmotors.pt)

\* References applied only in the UK